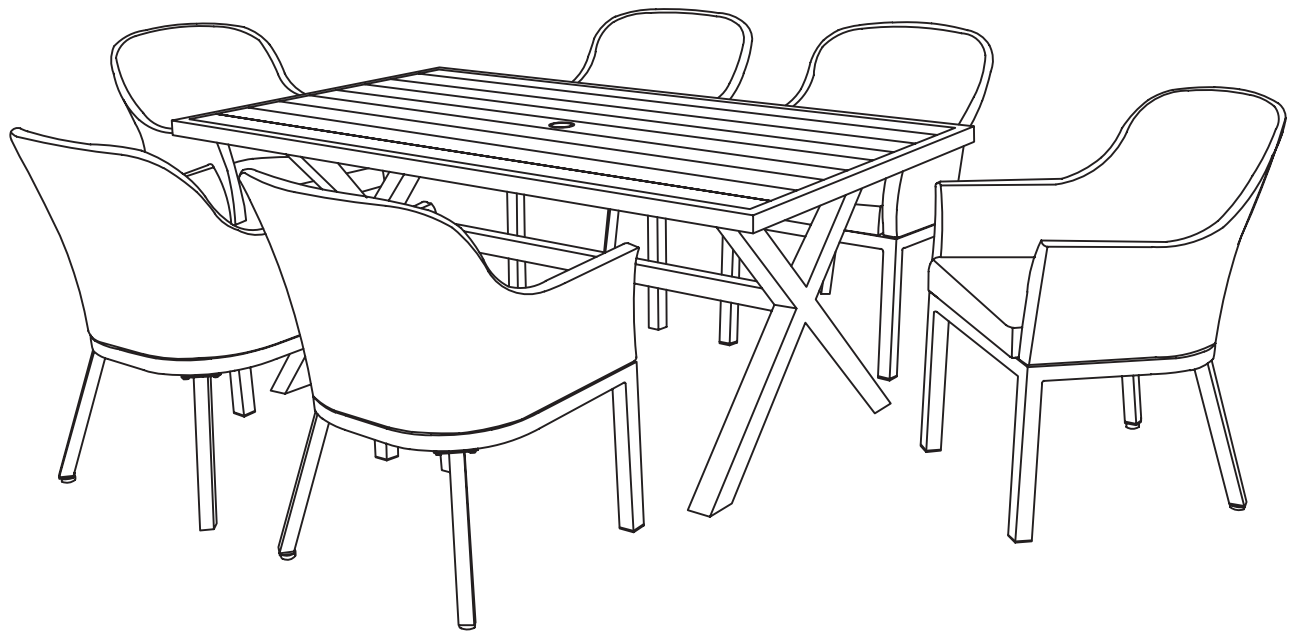




Item # 1001 025 214
Model # LCQ-0071-7D

Crown View 7 Piece Dining Set



Questions, problems, missing parts? Before returning to the store call
Hampton Bay Customer Service 8.00am. - 6.00pm., EST, Monday - Friday

1-855-HD-HAMPTON
www.homedepot.ca

THANK YOU!

We appreciate the trust and confidence you have placed in Hampton Bay through the purchase of the **Crown View 7pc Dining Set**. We strive to continually create quality products designed to enhance your home. Visit us online to see our full line of products available for your home improvement needs.
Thank you for choosing Hampton Bay.

Table of Contents

Table of Contents	2	Pre-Assembly	3
Safety Information	2	Planning Assembly	3
Warranty	2	Hardware Included	3
Warranty	2	Package Contents	4
What is Covered	2	Assembly	5-7
What is Not Covered	2	Care and Cleaning	8

Safety Information



DANGER: Please keep children out of assembly area during assembly.



WARNING: Do not stand or put heavy things on furniture.



CAUTION: Use furniture on the ground only.



IMPORTANT: Please check the tightness of the bolts every 90 days.



NOTE: Sharp things will cause damage of furniture.

Warranty

TWO YEAR LIMITED WARRANTY

WHAT IS COVERED

We warrant this product to be free of manufacturing defects to the original purchaser for **two years**.

WHAT IS NOT COVERED

It remains the customer's responsibility for freight and packaging charges to and from our service center. This warranty does not cover commercial use, hardware, acts of nature, fire, freezing and abusive use. In addition, purchased parts are not covered under this warranty. We reserve the right to make substitutions with similar merchandise, if the model in question is no longer in production.

Pre-Assembly

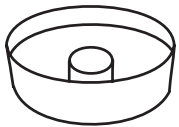
PLANNING ASSEMBLY

It will take 2 people about 30 minutes to complete the assembly process.

HARDWARE INCLUDED



NOTE: Hardware not shown to actual size.



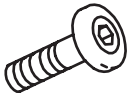
AA



BB



CC



DD



EE

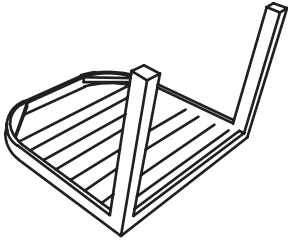


FF

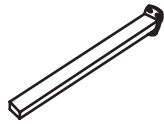
Part	Description	Quantity
AA	PVC Bolt Cover	88
BB	Wrench	2
CC	Steel Washer	88
DD	M6x15	48
EE	M6x50	24
FF	M6x20	16

Pre-Assembly (Continued)

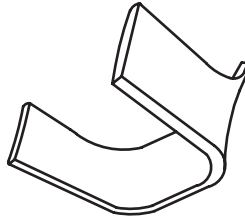
PACKAGE CONTENTS



A



B



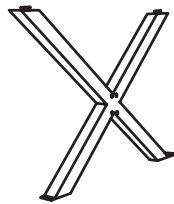
C



D



E



F



G

Part	Description	Quantity
A	Seat Frame	6
B	Chair Back Legs	12
C	Chair Back	6
D	Seat Cushion	6
E	Table Top	1
F	Table Legs	2
G	Leg Support Bar	1

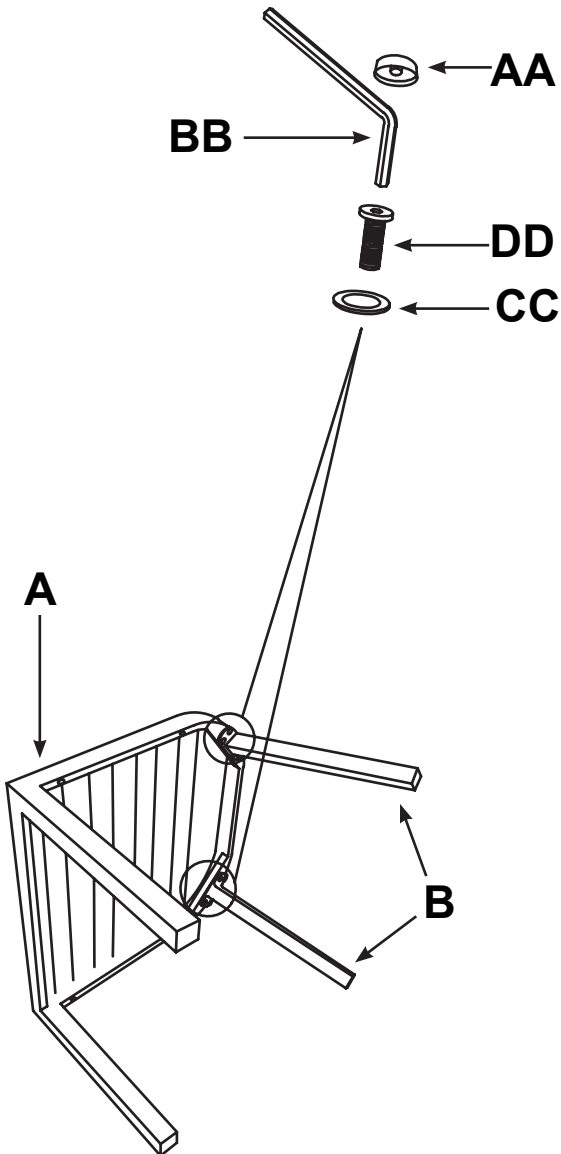
Assembly

1

Secure both Chair Back Legs (B) to Seat Frame (A) with hardware as directed.

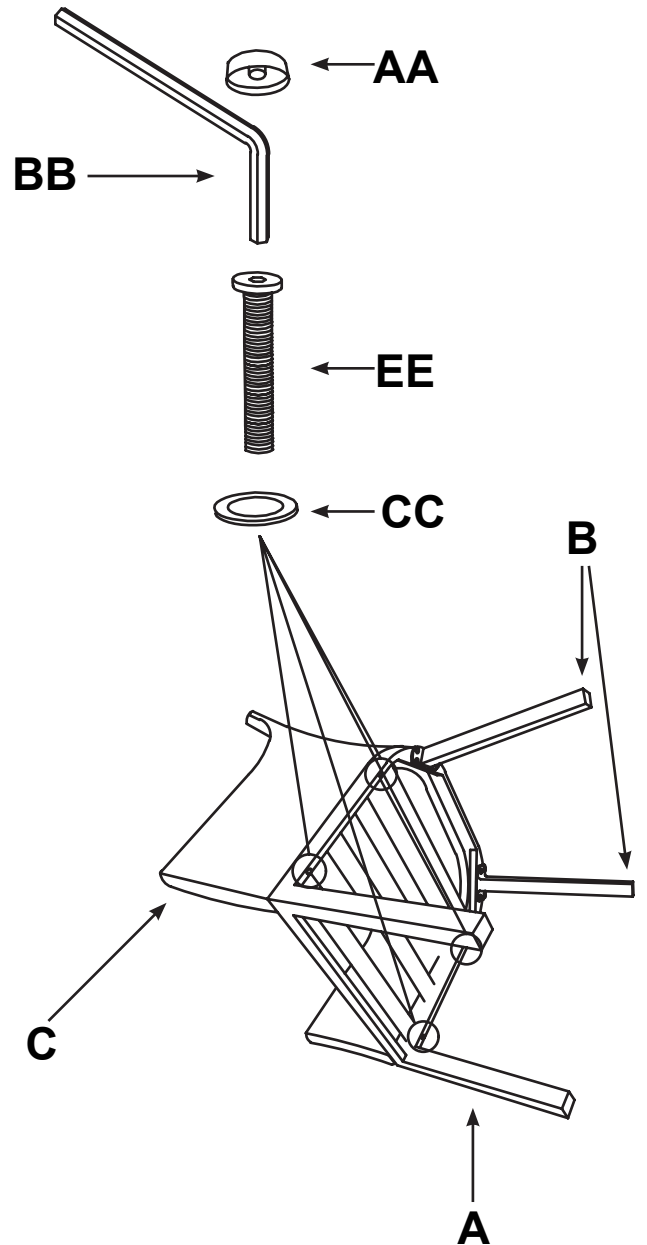


IMPORTANT: Do not fully tighten bolts before all bolts are assembled.



2

Secure Chair Back (C) to assembled Seat Frame (A) with hardware as directed.

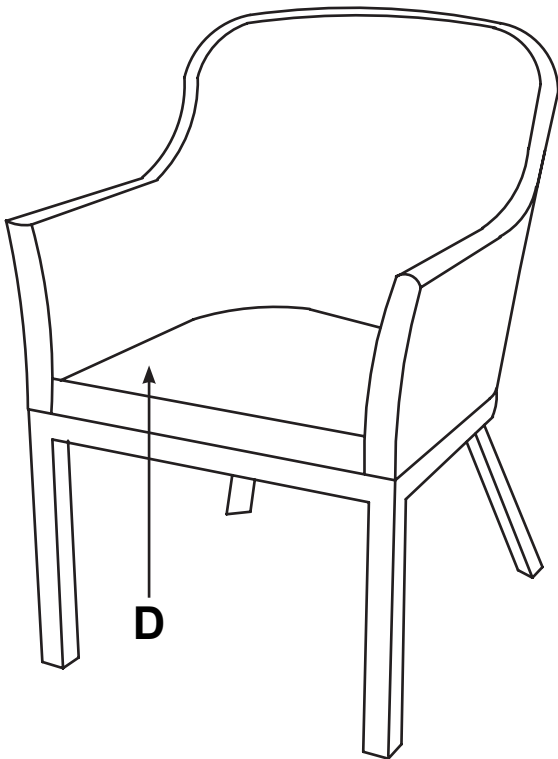


Assembly (Continued)

3

Tighten all hardware.

Set up Crown View Dining Chair with Seat Cushion (D).



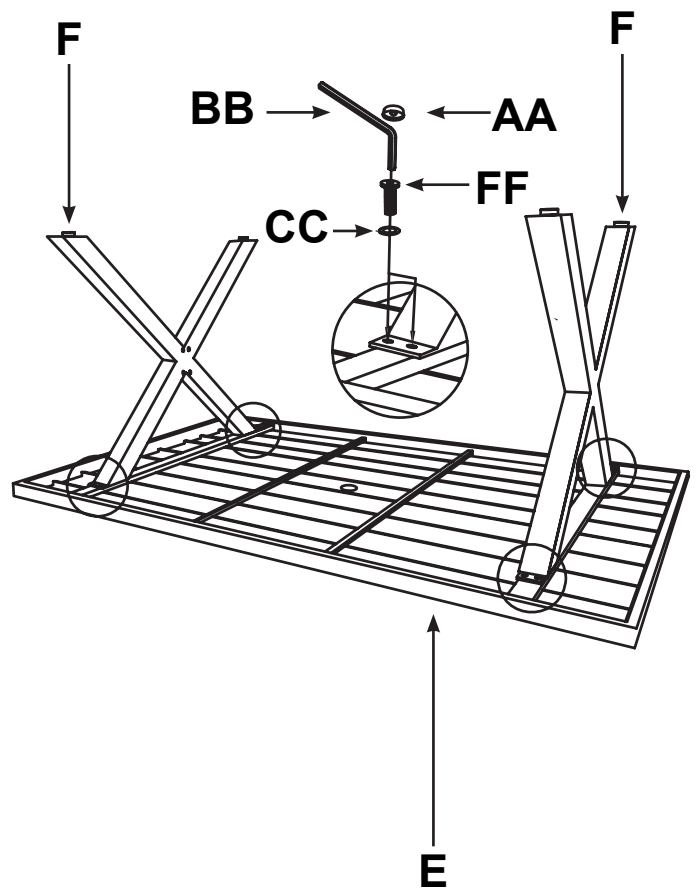
4

Attach Table Legs (F) to Table Top (E) with hardware as directed.

Ensure Table Legs (F) pre-drilled holes are facing inward to be attached to Leg Support Bar (G).



IMPORTANT: Do not fully tighten bolts before all bolts are assembled.



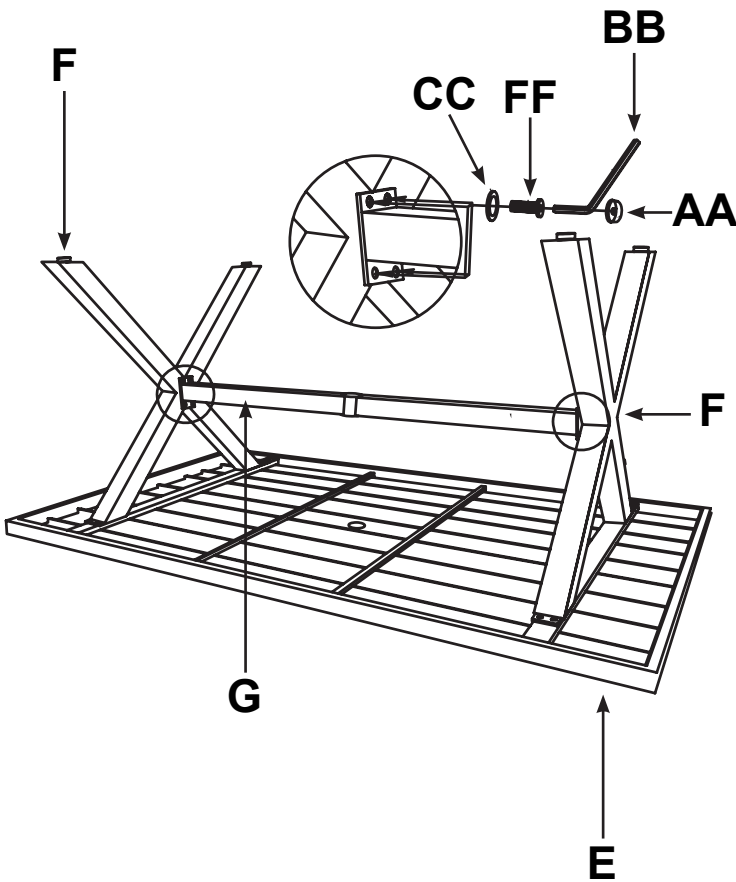
Assembly (Continued)

5

Attach Leg Support Bar (G) between Table Legs (F) with hardware as directed.

Ensure Table Legs (F) pre-drilled holes are facing inward to be attached to Leg Support Bar (G).

Once Leg Support Bar (G) is attached, tighten all bolts.



6

Stand Crown View Dining Table up right and tighten all bolts.

Enjoy!



Care and Cleaning

Before using, wipe with a clean dry cloth. Please be aware that sharp objects will cause damage to furniture. When not in use, store the furniture in a cool dry place.

Contact the Customer Service Team at **1-855-HD-HAMPTON** or visit **www.homedepot.ca**



Questions, problems, missing parts? Before returning to the store call
Hampton Bay Customer Service 8.00am. - 6.00pm., EST, Monday - Friday

1-855-HD-HAMPTON

www.homedepot.ca

Retain this manual for further use.